



THE PRESIDIO

El Presidio Real de Santa Barbara is one of California's oldest structures, built by the Spanish in 1782 as a military outpost, and serves as inspiration for this lantern. The Presidio features a familiar silhouette with a tapered cage, subtle ornamentation and a solid lid, playing the rough against the delicate. Hand forged in heavy gauge iron.

PRODUCT DETAIL

ETL Listed

Max Wattage: 60

AVAILABLE ENERGY & DESIGN CODE COMPLIANCE

High Efficacy Rated - GU 24 Socket to comply with Title 24 High Efficacy Requirements.

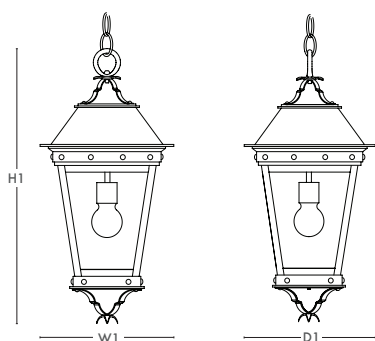
Dark Sky Compliant - LED down light source located in Fixture Hood recommended with etched glass.

All lanterns go through a metalizing process, a protective zinc layer added to ensure protection and durability against corrosion and harsh weather conditions.

Lead times will vary. In some cases an expedited option is available with an additional charge. Please contact sales support for lead times.

All lanterns are handmade and made to order. Dimensions may vary slightly.

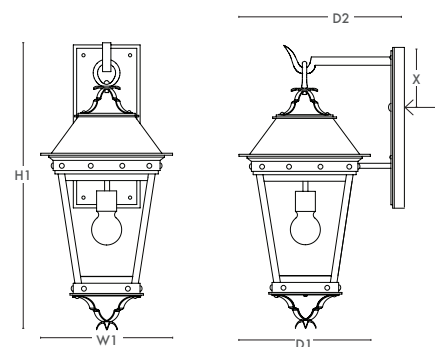
Shown in DLG Grey finish with DLG Clear glass



PENDANT | DLG-11A-PD

SIZE	H1	W1	D1
STANDARD	18.25	10	10
LARGE	21.75	12	12

CANOPY: 5"



ARM MOUNT | DLG-11A-AM

SIZE	H1	W1	D1	D2	X
STANDARD	20	10	10	12.5	4.5

BACKPLATE: 5 X 9

LARGE	23.25	12	12	14.5	6
-------	-------	----	----	------	---

BACKPLATE: 5 X 12 X = LOCATION OF JUNCTION BOX

AVAILABLE FINISH OPTIONS

STANDARD FINISHES

DLG GREY DLG BROWN DLG BLACK

PREMIUM FINISHES

DLG DARK BRONZE DLG DARK ZINC DLG OLD WORLD

AVAILABLE GLASS OPTIONS

STANDARD GLASS

DLG CLEAR

PREMIUM GLASS

DLG ANTIQUE DLG ICED DLG ETCHED
DLG SEEDED

NOTES: ALSO AVAILABLE AS A POST MOUNT. PENDANT INCLUDES A 36" CHAIN AND A CANOPY. ALL DIMENSIONS ARE IN INCHES.

